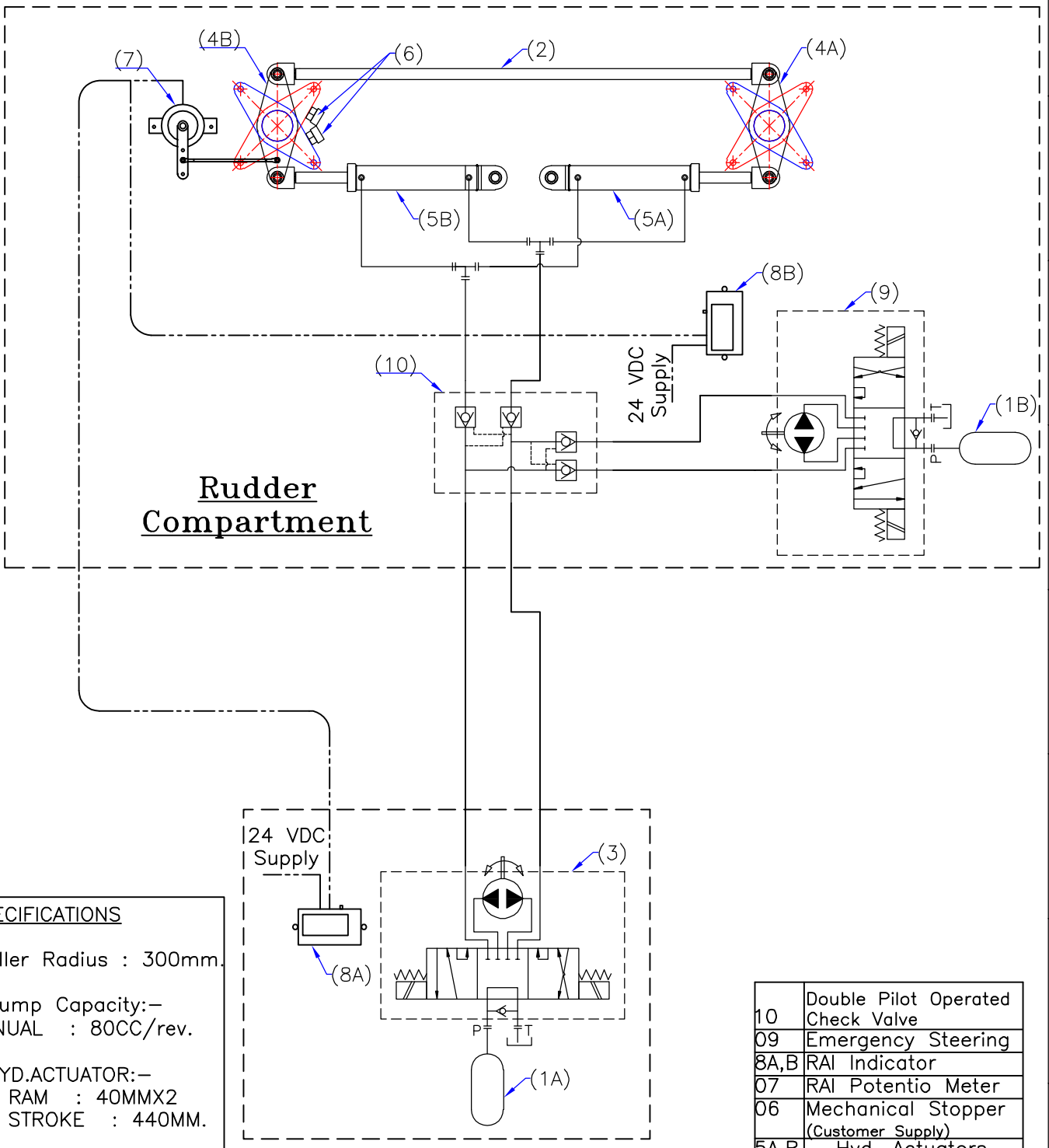


Schematic Diagram of JumboZ-500 MANUAL STEERING



Rudder Compartment

Wheel House

SPECIFICATIONS		
1. Tiller Radius : 300mm.		
2. Pump Capacity: - MANUAL : 80CC/rev.		
3. HYD. ACTUATOR: - RAM : 40MMX2 STROKE : 440MM.		
4. PIPE :- OD - 16MM. ID - 12MM.		
5. HOSE :- GRADE - R1 I.D - 1/2"		

10	Double Pilot Operated Check Valve
09	Emergency Steering
8A,B	RAI Indicator
07	RAI Potentio Meter
06	Mechanical Stopper (Customer Supply)
5A,B	Hyd. Actuators
4A,B	Tiller Arms
03	Main Steering Unit
02	Connection Rod (Customer Supply)
1A,B	Oil Reservoirs
SINo	Description

Unspecified Machining Deviations			Angular Dimensions		ITEM	SCALE	MATERIAL	VIEW	DRAWN	CHECKED
Linear Dimensions			Length of Shorter Side of Angle	Deviation in		/	NTS	/	JK	VUK
ABOVE	UPTO	DEVIATIONS		MM	Degree or minutes					
			Above	Upto						
					DESIGNATION		DWG NO	DATE	QTY	
					Schematic Diagram of JumboZ-500M Class Ver.		MHS-1046	08.12.2020	/	
					MAC ♦ N ♦ HOM SYSTEMS KOCHI - 20					